

# Multi-Slope Drain Configuration Chart

## 0.5% Slope

### Channels: 3501 - 3530

240' Maximum Length of Continuous Slope

Part Number	Inlet Depth (in.)	Outlet Depth (in.)	Flow (gpm)	Flow Velocity (fps)	Wt. (lbs.)
3501	14.78	15.26	1607	5.8	23.7
3502	15.26	15.74	1656	5.8	24.5
3503	15.74	16.22	1704	5.8	25.3
3504	16.22	16.70	1753	5.8	26.0
3505	16.70	17.18	1802	5.8	26.8
3506	17.18	17.66	1850	5.8	27.5
3507	17.66	18.14	1899	5.8	28.3
3508	18.14	18.62	1947	5.8	29.1
3509	18.62	19.10	1996	5.8	29.8
3510	19.10	19.58	2045	5.8	30.6
3511	19.58	20.06	2093	5.8	31.3
3512	20.06	20.54	2142	5.8	32.1
3513	20.54	21.02	2191	5.8	32.9
3514	21.02	21.50	2239	5.8	33.6
3515	21.50	21.98	2288	5.8	34.4

Part Number	Inlet Depth (in.)	Outlet Depth (in.)	Flow (gpm)	Flow Velocity (fps)	Wt. (lbs.)
3516	21.98	22.46	2336	5.8	35.1
3517	22.46	22.94	2385	5.8	35.9
3518	22.94	23.42	2434	5.8	36.7
3519	23.42	23.90	2482	5.8	40.0
3520	23.90	24.38	2531	5.8	40.8
3521	24.38	24.86	2580	5.8	41.5
3522	24.86	25.34	2628	5.8	42.3
3523	25.34	25.82	2677	5.8	43.0
3524	25.82	26.30	2725	5.8	43.8
3525	26.30	26.78	2774	5.8	44.6
3526	26.78	27.26	2823	5.8	45.3
3527	27.26	27.74	2871	5.8	46.1
3528	27.74	28.22	2920	5.8	46.8
3529	28.22	28.70	2969	5.8	47.6
3530	28.70	29.18	3017	5.8	48.4

## 0.75% Slope

### Channels: 3701 - 3720

160' Maximum Length of Continuous Slope

Part Number	Inlet Depth (in.)	Outlet Depth (in.)	Flow (gpm)	Flow Velocity (fps)	Wt. (lbs.)
3701	14.78	15.50	1631	5.8	24.5
3702	15.50	16.22	1704	5.8	25.8
3703	16.22	16.94	1777	5.8	27.0
3704	16.94	17.66	1850	5.8	28.3
3705	17.66	18.38	1923	5.8	29.5
3706	18.38	19.10	1996	5.8	30.8
3707	19.10	19.82	2069	5.8	32.0
3708	19.82	20.54	2142	5.8	33.3
3709	20.54	21.26	2215	5.8	34.6
3710	21.26	21.98	2288	5.8	35.8

Part Number	Inlet Depth (in.)	Outlet Depth (in.)	Flow (gpm)	Flow Velocity (fps)	Wt. (lbs.)
3711	21.98	22.70	2361	5.8	37.1
3712	22.70	23.42	2435	5.8	38.3
3713	23.42	24.14	2507	5.8	39.6
3714	24.14	24.86	2580	5.8	40.9
3715	24.86	25.58	2653	5.8	42.1
3716	25.58	26.30	2725	5.8	43.4
3717	26.30	27.02	2798	5.8	44.6
3718	27.02	27.74	2871	5.8	45.9
3719	27.74	28.46	2944	5.8	47.1
3720	28.46	29.18	3017	5.8	48.4

## 1% Slope

### Channels: 3001 - 3015

120' Maximum Length of Continuous Slope

Part Number	Inlet Depth (in.)	Outlet Depth (in.)	Flow (gpm)	Flow Velocity (fps)	Wt. (lbs.)
3001	14.78	15.74	1713	5.8	24.5
3002	15.74	16.70	1806	5.8	26.0
3003	16.70	17.66	1899	5.8	27.5
3004	17.66	18.62	1992	5.8	29.1
3005	18.62	19.58	2085	5.8	30.6
3006	19.58	20.54	2178	5.8	32.1
3007	20.54	21.50	2271	5.8	33.6
3008	21.50	22.46	2363	5.8	35.1

Part Number	Inlet Depth (in.)	Outlet Depth (in.)	Flow (gpm)	Flow Velocity (fps)	Wt. (lbs.)
3009	22.46	23.42	2456	5.8	36.7
3010	23.42	24.38	2549	5.8	40.8
3011	24.38	25.34	2642	5.8	42.3
3012	25.34	26.30	2735	5.8	43.8
3013	26.30	27.26	2828	5.8	45.3
3014	27.26	28.22	2921	5.8	46.8
3015	28.22	29.18	3017	5.8	48.4

1.25% Slope

Channels: 3201 - 3212

96' Maximum Length of Continuous Slope

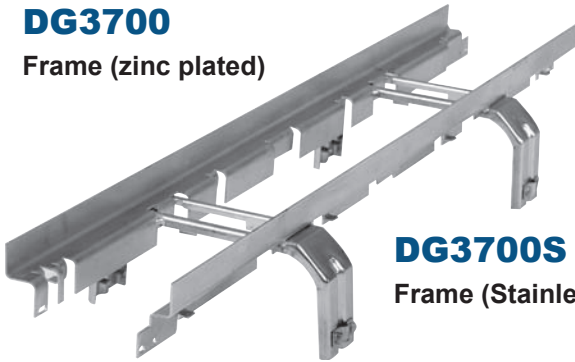
Part Number	Inlet Depth (in.)	Outlet Depth (in.)	Flow (gpm)	Flow Velocity (fps)	Wt. (lbs.)
3201	14.78	15.98	1680	5.8	24.5
3202	15.98	17.18	1802	5.8	26.7
3203	17.18	18.38	1923	5.8	28.8
3204	18.38	19.58	2045	5.8	31.0
3205	19.58	20.78	2166	5.8	33.2
3206	20.78	21.98	2288	5.8	35.4

Part Number	Inlet Depth (in.)	Outlet Depth (in.)	Flow (gpm)	Flow Velocity (fps)	Wt. (lbs.)
3207	21.98	23.18	2409	5.8	37.5
3208	23.18	24.38	2534	5.8	39.7
3209	24.38	25.58	2653	5.8	41.9
3210	25.58	26.78	2774	5.8	44.1
3211	26.78	27.98	2896	5.8	46.2
3212	27.98	29.18	3017	5.8	48.4

## Accessories

### DG3700

Frame (zinc plated)

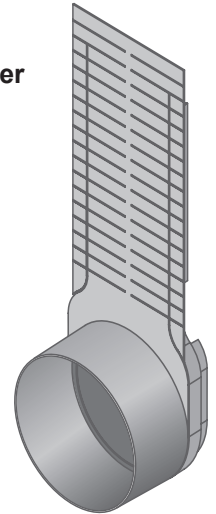


### DG3700S

Frame (Stainless Steel)

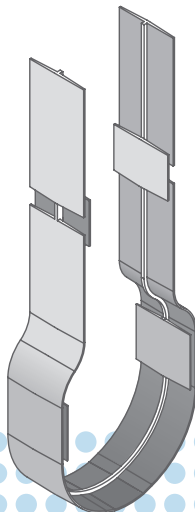
### DA3000A

End Cap / Pipe Adapter



### DA3000C

Channel Coupler



### DA3000S

Bottom Outlet Pipe Adapter

