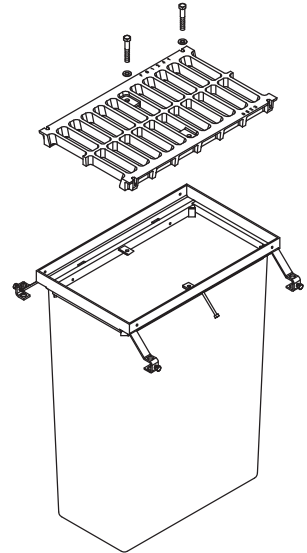
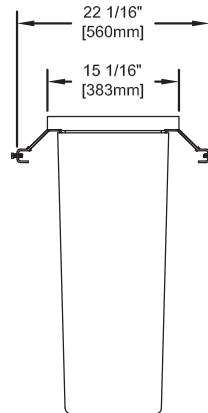
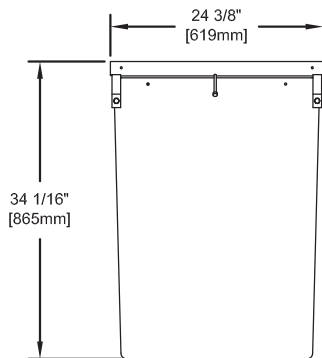
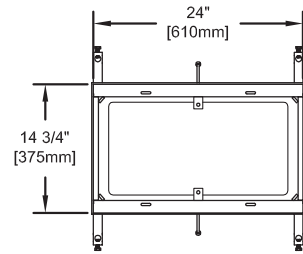


FP1251 12" x 24" Catch Basin

ENGINEERING SPECIFICATION:

The FP Series™ Catch Basins are designed to be used as collection points, drain run transitions and interceptors to collect solid debris. Catch Basins are designed to accommodate all drain sizes with use of FA0800L or FA1200L depending on series being used.



Options (Select All That Apply)			
<input checked="" type="checkbox"/>	Grate Type	Part No.	DIN Load Class
<input type="checkbox"/>	Ductile Iron Slotted	FG1241	Class C
<input type="checkbox"/>	Ductile Iron Slotted	FG1242	Class E
<input type="checkbox"/>	Transverse Slotted	FG1275	Class E
<input type="checkbox"/>	Ductile Iron Slotted	FG1246	Class F
<input checked="" type="checkbox"/>	Additional Options	Part No.	Additional Specifications:
<input type="checkbox"/>	FP0800 Series Catch Basin Inlet	FA0800L	For use with FP0800 Series only
<input type="checkbox"/>	FP1200 Series Catch Basin Inlet	FA1200L	For use with FP1200 Series only
<input type="checkbox"/>	Catch Basin Outlet	FA1251U	

Meets the following Standards & Specifications:

- DIN 19580 / DIN EN 1433 Drainage Channels for Vehicular and Pedestrian Areas
- AASHTO H-20 and H-25 per AASHTO M-306 Drainage, Sewer, Utility, and Related Castings
- Federal Aviation Administration (FAA) Advisory Circular AC 150/5320-6E Appendix 3, Design of Structures for Heavy Airplanes
- ASTM D695, Standard Test Method for Compressive Properties of Rigid Plastics
- ASTM D570, Standard Test Method for Water Absorption of Plastic
- ASTM D790, Standard Test Method for Flexural Properties of Unreinforced and Reinforced Plastics and Electrical Insulation Materials
- ASTM D638, Standard Test Method for Tensile Properties of Plastic
- ASTM D635, Standard Test Method for Rate of Burning and/or Extent and Time of Burning Plastics in a Horizontal Position
- ASTM D543, Standard Practices for Evaluating the Resistance of Plastics to Chemical Reagents
- ASTM C666, Standard Test Method for Resistance of Concrete to Rapid Freezing and Thawing Salt Spray



www.TrenchDrainSystems.com
PO Box 377 • Fremont, OH 43420 USA
(610) 638-1221