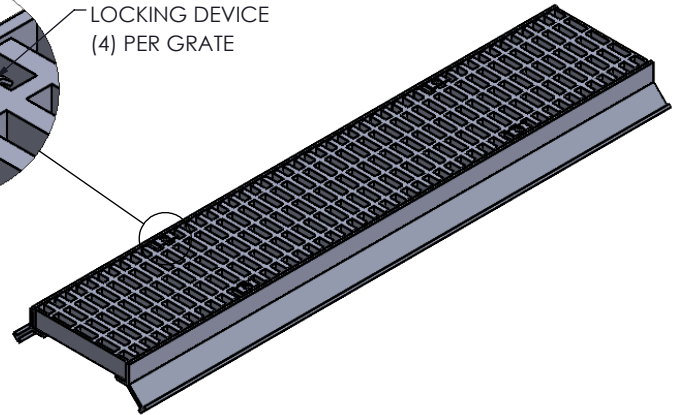
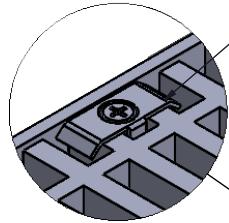
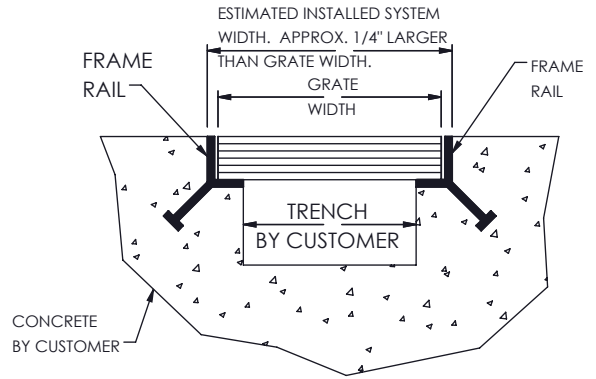


**FGK-HLC-WYE**      **FIBERGLASS KIT WITH HLC GRATE AND WYE FRAME**

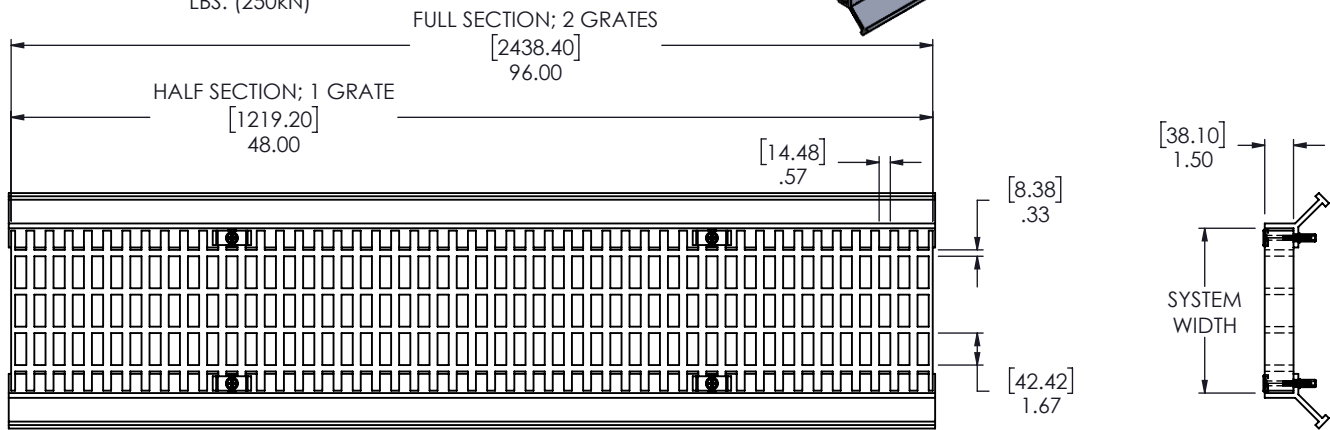
NOMINAL SYSTEM WIDTH	ACTUAL GRATE WIDTH	SYSTEM LENGTH	KIT PART NO.
8"	8.33"	4'	FGK-HLC-WYE-0804
		8'	FGK-HLC-WYE-0808
		12'	FGK-HLC-WYE-0812
		16'	FGK-HLC-WYE-0816
		20'	FGK-HLC-WYE-0820
10"	10.33"	4'	FGK-HLC-WYE-1004
		8'	FGK-HLC-WYE-1008
		12'	FGK-HLC-WYE-1012
		16'	FGK-HLC-WYE-1016
		20'	FGK-HLC-WYE-1020
12"	12.33"	4'	FGK-HLC-WYE-1204
		8'	FGK-HLC-WYE-1208
		12'	FGK-HLC-WYE-1212
		16'	FGK-HLC-WYE-1216
		20'	FGK-HLC-WYE-1220
14"	14.33"	4'	FGK-HLC-WYE-1404
		8'	FGK-HLC-WYE-1408
		12'	FGK-HLC-WYE-1412
		16'	FGK-HLC-WYE-1416
		20'	FGK-HLC-WYE-1420
40'	FGK-HLC-WYE-1440		



KITS ARE SUPPLIED IN 4FT & 8FT SECTIONS



**DIN APPLICATION LOAD CLASS C:**  
 CURB SIDES, HIGHWAY SHOULDERS  
 AND PARKING AREAS. DESIGNED FOR  
 A DISTRIBUTED PRESSURE OF 56,200  
 LBS. (250kN)



**MANUFACTURER**



DISCLAIMER - The customer and the customer's architects, engineers, consultants, and other professionals are completely responsible for the selection installation and maintenance of any product purchased from Trench Drain Systems and/or its manufacturers. TRENCH DRAIN SYSTEMS MAKES NO WARRANTY, EXPRESS OR IMPLIED, AS TO THE SUITABILITY, DESIGN, MERCHANTABILITY, OR FITNESS OF THE PRODUCT FOR CUSTOMERS APPLICATION. The drawing and information provided remain the property and copyright of the manufacturer listed. The manufacturer reserves the right to modify specification without notice.

**ENGINEERING SPECIFICATION**

TDS FIBERGLASS KITS ARE MANUFACTURED WITH LAYERS OF RESIN AND FIBERGLASS STRANDS TO CREATE A GRATING SYSTEM WITH EXCELLENT IMPACT RESISTANCE THAT PROVIDES BETTER TRACTION THAN METAL BAR GRATING. IT IS CORROSION RESISTANT, LIGHTWEIGHT, NONCONDUCTIVE AND NONMAGNETIC. THE GRATE HAS AN OPEN AREA OF 48%. EACH GRATE MEASURES 1.50" THICK X 48.00" LONG. KIT INCLUDES GRATE(S), LOCKING DEVICES AND FRAME RAILS.