



3000 SERIES™

SERIOUS DRAINAGE • SERIOUS SOLUTIONS

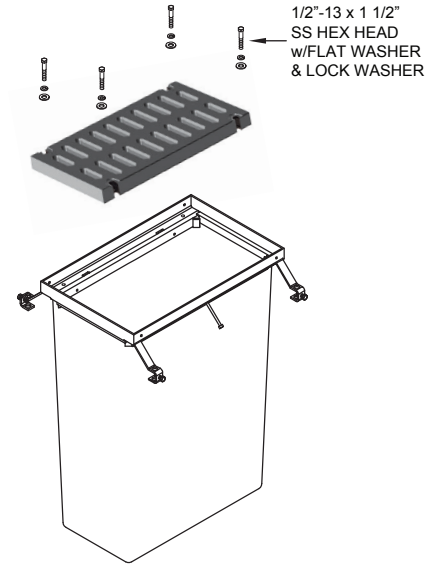
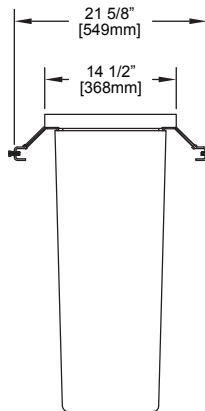
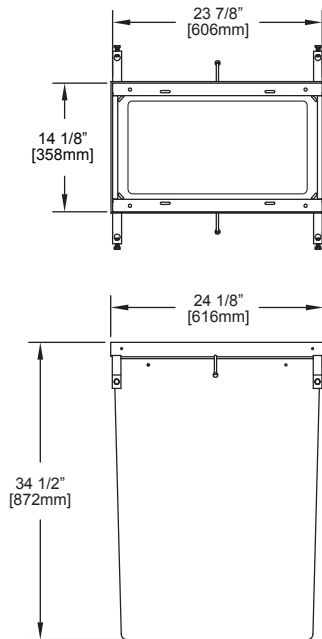
PROJECT ID/ CONTRACT NO: _____

CB3012 12" x 24" Catch Basin

LOCATION: _____

ENGINEERING SPECIFICATION:

The 3000 Series fiberglass catch basins are designed to be used as collection points, drain run transitions and interceptors to collect solid debris.



Options (Select all that apply)			
<input checked="" type="checkbox"/>	Frame Type	Part No.	
<input type="checkbox"/>	Zinc Plated	CF3712	
<input type="checkbox"/>	Stainless Steel	CF3712S	
<input checked="" type="checkbox"/>	Grate Type	Part No.	DIN Load Class
<input type="checkbox"/>	Slotted Ductile Iron	DG1241D	Class E
<input type="checkbox"/>	Fiberglass I-Bar	DG1244	Class B*
<input type="checkbox"/>	Stainless Steel Bar	DG1247R	Class C
<input type="checkbox"/>	Galvanized Bar	DG1248R	Class C
<input checked="" type="checkbox"/>	Additional Options	Part No.	
<input type="checkbox"/>	Catch Basin Pipe Outlet	CB3000A	
<input type="checkbox"/>	HDPE Sediment Basket	CA1224TA	
<input type="checkbox"/>	Stainless Steel Sediment Basket	CA1224TS	

* For higher load class, please call.

Meets the following Standards & Specifications:

- DIN 19580 / DIN EN 1433 Drainage Channels for Vehicular and Pedestrian Areas
- AASHTO H-20 and H-25 per AASHTO M-306 Drainage, Sewer, Utility, and Related Castings
- Federal Aviation Administration (FAA) Advisory Circular AC 150/5320-6E Appendix 3. Design of Structures for Heavy Airplanes
- ASTM D695, Standard Test Method for Compressive Properties of Rigid Plastics
- ASTM D570, Standard Test Method for Water Absorption of Plastic
- ASTM D790, Standard Test Method for Flexural Properties of Unreinforced and Reinforced Plastics and Electrical Insulation Materials
- ASTM D638, Standard Test Method for Tensile Properties of Plastic
- ASTM D635, Standard Test Method for Rate of Burning and/or Extent and Time of Burning Plastics in a Horizontal Position
- ASTM D543, Standard Practices for Evaluating the Resistance of Plastics to Chemical Reagents
- ASTM C666, Standard Test Method for Resistance of Concrete to Rapid Freezing and Thawing Salt Spray



PO Box 377
Fremont, Ohio 43420 USA
Phone 610.638.1221
sales@TrenchDrainSystems.com
www.TrenchDrainSystems.com