



# 3000 SERIES™

SERIOUS DRAINAGE • SERIOUS SOLUTIONS

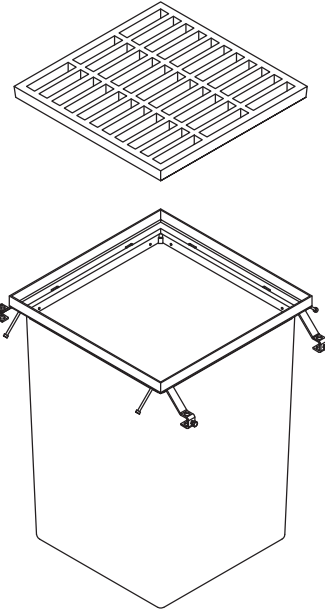
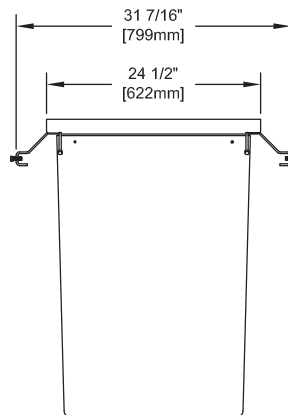
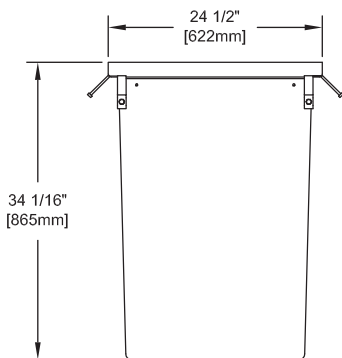
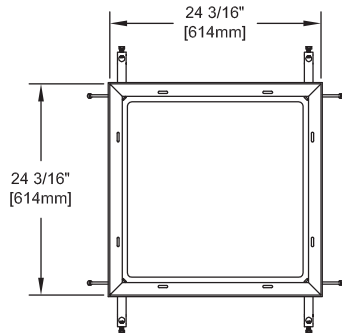
PROJECT ID/ CONTRACT NO: \_\_\_\_\_

## CB3024 24" x 24" Catch Basin

LOCATION: \_\_\_\_\_

### ENGINEERING SPECIFICATION:

The 3000 Series fiberglass catch basins are designed to be used as collection points, drain run transitions and interceptors to collect solid debris.



Options (Select all that apply)			
<input checked="" type="checkbox"/>	<b>Frame Type</b>	<b>Part No.</b>	
<input type="checkbox"/>	Zinc Plated	CF3724	
<input type="checkbox"/>	Stainless Steel	CF3724S	
<input checked="" type="checkbox"/>	<b>Grate Type</b>	<b>Part No.</b>	<b>DIN Load Class</b>
<input type="checkbox"/>	Slotted Ductile Iron	DG2441D	Class E
<input type="checkbox"/>	Fiberglass I-Bar	DG2444	Class B*
<input type="checkbox"/>	Stainless Steel Bar	DG2447R	Class C
<input type="checkbox"/>	Galvanized Bar	DG2448R	Class C
<input checked="" type="checkbox"/>	<b>Additional Options</b>	<b>Part No.</b>	
<input type="checkbox"/>	Catch Basin Pipe Outlet	CB3000A	
<input type="checkbox"/>	HDPE Sediment Basket	CA1224TA x 2	
<input type="checkbox"/>	Stainless Steel Sediment Basket	CA1224TS x 2	

\* For higher load class, please call.

### Meets the following Standards & Specifications:

- DIN 19580 / DIN EN 1433 Drainage Channels for Vehicular and Pedestrian Areas
- AASHTO H-20 and H-25 per AASHTO M-306 Drainage, Sewer, Utility, and Related Castings
- Federal Aviation Administration (FAA) Advisory Circular AC 150/5320-6E Appendix 3. Design of Structures for Heavy Airplanes
- ASTM D695, Standard Test Method for Compressive Properties of Rigid Plastics
- ASTM D570, Standard Test Method for Water Absorption of Plastic
- ASTM D790, Standard Test Method for Flexural Properties of Unreinforced and Reinforced Plastics and Electrical Insulation Materials
- ASTM D638, Standard Test Method for Tensile Properties of Plastic
- ASTM D635, Standard Test Method for Rate of Burning and/or Extent and Time of Burning Plastics in a Horizontal Position
- ASTM D543, Standard Practices for Evaluating the Resistance of Plastics to Chemical Reagents
- ASTM C666, Standard Test Method for Resistance of Concrete to Rapid Freezing and Thawing Salt Spray



PO Box 377  
Fremont, Ohio 43420 USA  
Phone 610.638.1221  
sales@TrenchDrainSystems.com  
www.TrenchDrainSystems.com