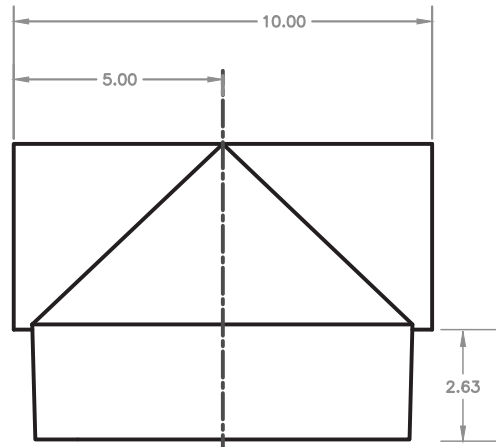
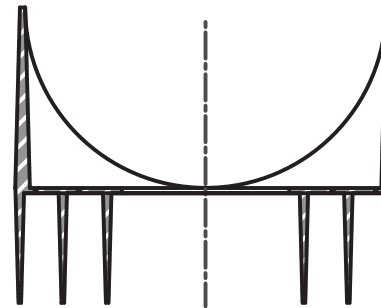


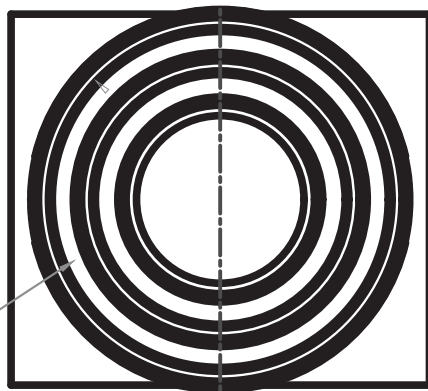
END VIEW



SIDE VIEW



END VIEW CUTAWAY



BOTTOM VIEW

FITS 4", 6" & 8"
SCH 40 PIPE

NOTES:

1. MATERIAL IS ABS PLASTIC

DIMENSIONS ARE IN INCHES OR MILLIMETERS IN BRACKETS UNLESS OTHERWISE NOTED.				
DRN	BY	DATE	WEIGHT	1.7#
CHK	JRP	1/12/16		
ENG	JRP	1/12/16		
APR				
APR				
SCALE			DRAWING DESCRIPTION	
NOT TO SCALE			BOTTOM SADDLE OUTLET FOR 3000 SERIES	
DRAWING NUMBER				
DA3000S				

TRENCH DRAIN
SYSTEMS

www.TrenchDrainSystems.com
PO Box 377 • Fremont, OH 43420
(610) 638-1221



3000 SERIES
SERIOUS DRAINAGE • SERIOUS SOLUTIONS