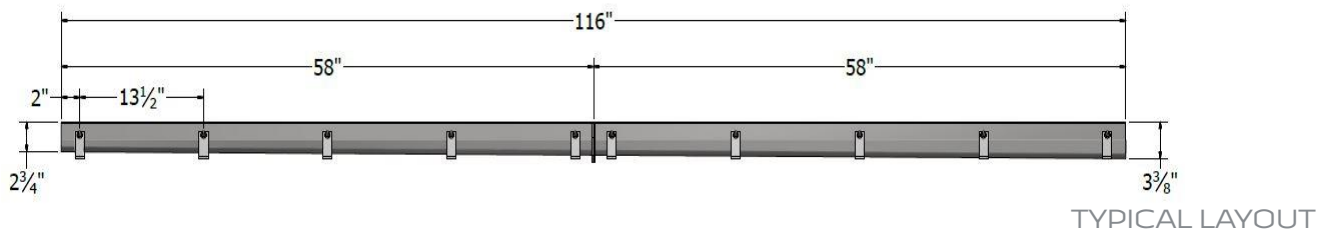
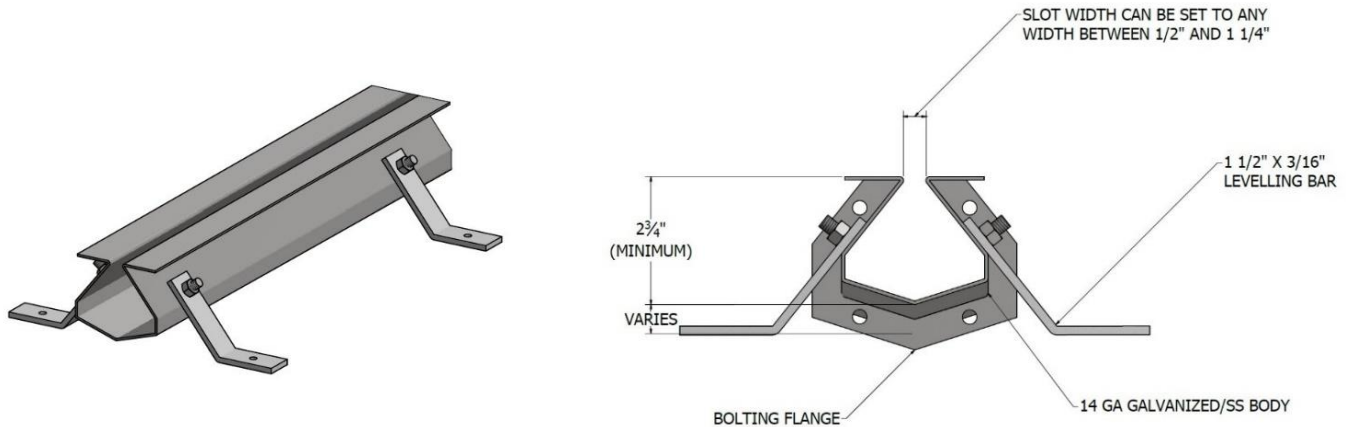


SPECIFICATIONS

Slot Drain® is a one-piece, built-in sloped, open floor drain/surface drain system that does not require gratings of any kind. It's applicable wherever floor or ground surfaces are subject to fluids, or have frequent cleaning requirements.

Shallow Profile is a cost effective solution surface drainage system that is available in stainless or galvanized steel. It is easy to clean and extremely maintenance friendly as there is no grating to deteriorate / break / bend and need replacing.

Slot Drain® Shallow Profile Trench Drain Series are pre-sloped trench drains with available slot openings of 1/2", 1" and 1 1/4" pre-sloped trench drain. The slope rate of the drain channel is 0.5%.



FUNCTION

Used in low volume applications, such as around commercial and residential pools, landscaping, roofing drainage systems, residential garages, low traffic facilities, applications with pedestrian load class, etc. Slot opening can be made to ADA Compliant with openings of 13mm (1/2"). The drain body is easy to clean by simply using a cleaning paddle.

PERFORMANCE CHARACTERISTICS

1. Structural: The structural capabilities of the drain system are in direct relation to the strength of the concrete the Slot Drain® is supported by.
2. Durability: Consideration of machinery placement is not limited by the placement of the Slot Drain®.
3. Sanitary: A stainless steel Slot Drain® system is sanitary and durable complying with the food and beverage industry stringent sanitary regulations. The only parts of the drain exposed shall be the surface angles, which are made of stainless steel.

OPTIONS

- Drain body: 14 gauge T304 or T316 stainless steel or galvanized steel
- Slot Opening: 1/2" (ADA Compliant), 1" and 1 1/4"
- Section Lengths: Full Section 9'8" and Half Section 4'10"
- Catch basin and other accessories are available