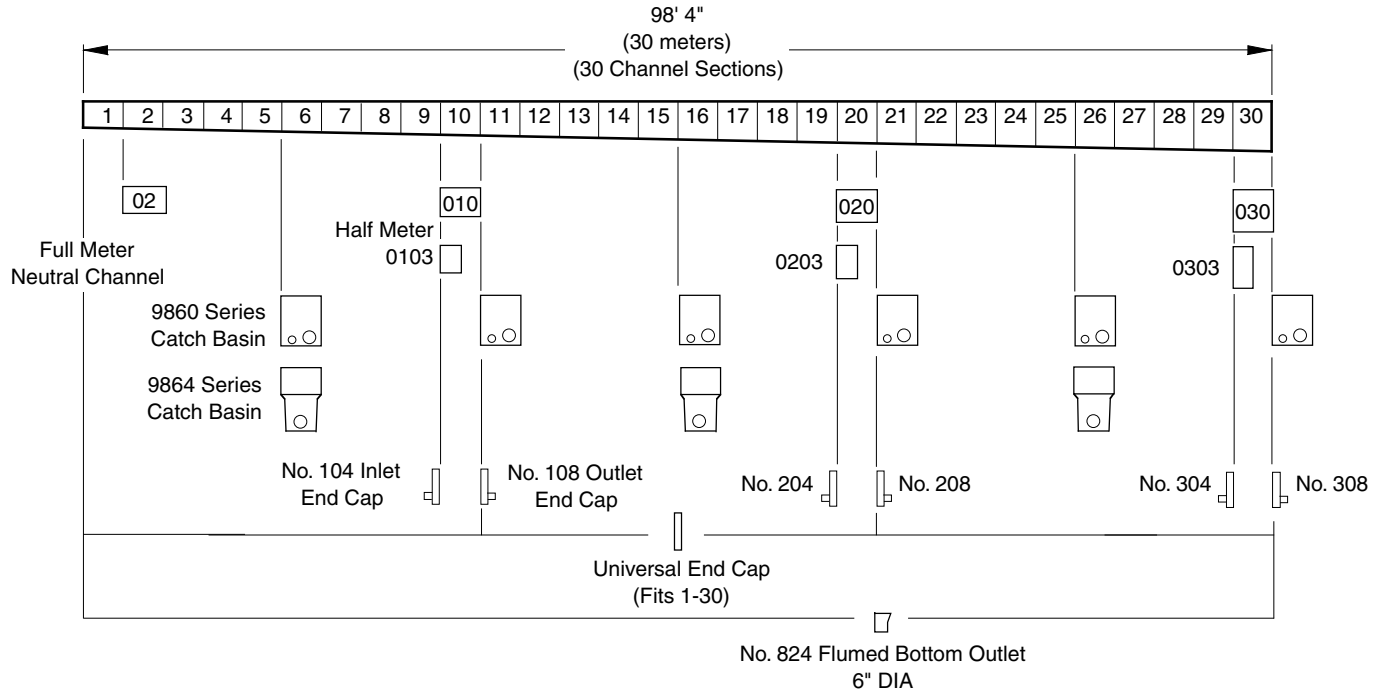
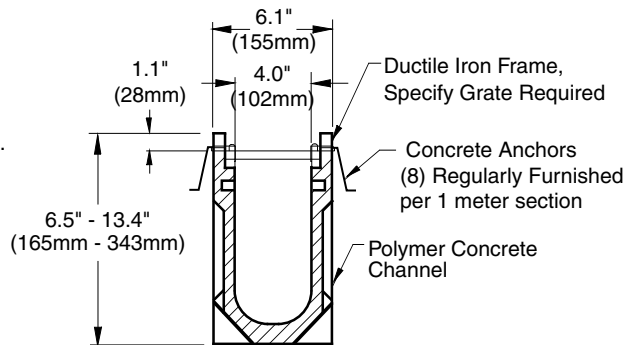


# 6" WIDE 9816 EXTRA HEAVY DUTY DRAIN SYSTEM

**FUNCTION:** Used in all surface drainage, may be assembled in any length utilizing ductile iron frame system that is recommended for situations requiring an extra heavy duty rating to protect against hard wheel traffic, impact of steel containers, struts and metal wheels.



All channels provided with vertical preformed knock-out positions for 4" and 6" outlet discharge.



**REGULARLY FURNISHED:**  
 1 meter (3.28) Precast Polyester Concrete Channel of Interlocking Design with a Built in Slope of .6% with a Radius Bottom, along with a Ductile Iron Frame Support System, (8) Galvanized Concrete Anchors, Supplied with Secured Grate.

**Note:** This trench drainage system is designed for "on grade applications only", as there are no provisions for a flashing flange or flashing clamp.

- VARIATIONS:**
- Grate Specifications (See Back)
  - Bottom Outlet 6"
  - Closing End Cap
  - Horizontal Outlet 4"
  - Horizontal Outlet 6"
  - Dome Strainer 4" size only
  - Channel Chair
  - Catch Basin only 9860 w/Ductile Iron Frame/Ductile Iron Grate
  - Catch Basin Bucket, available catch basin only 9860
  - Catch Basin only 9860 w/Ductile Iron Frame/Cast Iron Grate
  - Catch Basin only 9864 w/Cast Iron Frame/Cast Iron Grate
  - End Frame, Ductile Iron
  - Rante Arrow
  - Stainless Steel Locking Device & Bolts

**OPTIONAL MATERIALS:**  
 Vinylester Resin



DRAWING NUMBER: a9816  
 SIZE: A  
 SCALE: NONE  
 DATE: 8-5-93  
 APPROVED BY: PACE  
 CHECKED BY: PACE  
 DRAWN BY: CMB  
 DIMENSIONS ARE SUBJECT TO MANUFACTURERS TOLERANCE AND CHANGE WITHOUT NOTICE

FIGURE NUMBER	N M L	03-06-09 11-28-07 9-27-07	Added S.S. Locking Device Added mm to cross section Revised Drawing	JJ JJ JJ	PJ PJ MD	WEIGHT POUNDS	VOLUME CUBIC FEET	FIGURE NUMBER <b>9816</b>
REV.	DATE	DESCRIPTION	BY	CKD. BY				

L



**JAY R. SMITH MFG. CO.**  
 DIVISION OF SMITH INDUSTRIES, INC.  
 POST OFFICE BOX 3237  
 MONTGOMERY, ALABAMA 36109-0237 (USA)  
 TEL: 334-277-8520 FAX: 334-272-7396 www.jrsmith.com



MEMBER OF:

LOCATION

# 6" WIDE 9816 EXTRA HEAVY DUTY DRAIN SYSTEM

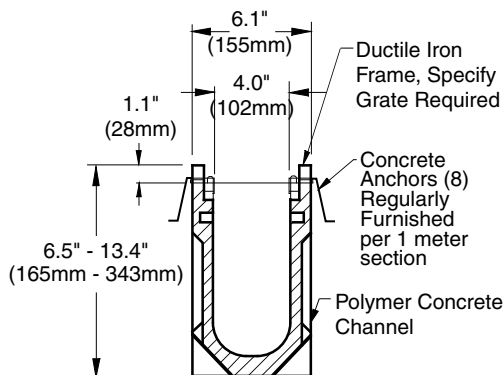
## Holding Capacity and Deep End Depths 9816 System

Channel Number	Deep End in.	Depth* mm	Slope	Holding Capacity (gallons)
9816-471-1	6.7	171	0.6	2.7
9816-475-02#	6.7	171	0.0	2.7
9816-475-2	6.9	177	0.6	3.0
9816-475-3	7.1	183	0.6	3.0
9816-475-4	7.4	189	0.6	3.1
9816-475-5	7.6	195	0.6	3.3
9816-475-6	7.8	201	0.6	3.4
9816-475-7	8.1	207	0.6	3.6
9816-475-8	8.3	213	0.6	3.8
9816-475-9	8.5	219	0.6	3.9
9816-475-010#	8.5	219	0.0	4.0
9816-475-0103*	8.5	219	0.0	4.0
9816-475-10	8.8	225	0.6	4.1
9816-475-11	9.0	231	0.6	4.2
9816-475-12	9.2	237	0.6	4.4
9816-475-13	9.5	243	0.6	4.6
9816-475-14	9.7	249	0.6	4.7
9816-475-15**	10.0	255	0.6	4.9
9816-475-16	10.2	261	0.6	5.0
9816-475-17	10.4	267	0.6	5.2
9816-475-18	10.7	273	0.6	5.3
9816-475-19	10.9	279	0.6	5.5
9816-475-020#	10.9	279	0.0	5.6
9816-475-0203*	10.9	279	0.0	5.6
9816-475-20	11.1	285	0.6	5.7
9816-475-21	11.4	291	0.6	5.8
9816-475-22	11.6	297	0.6	6.0
9816-475-23	11.8	303	0.6	6.1
9816-475-24	12.1	309	0.6	6.3
9816-475-25**	12.3	315	0.6	6.4
9816-475-26	12.6	321	0.6	6.6
9816-475-27	12.8	327	0.6	6.8
9816-475-28	13.0	333	0.6	6.9
9816-475-29	13.3	338	0.6	7.1
9816-475-030#	13.3	338	0.0	7.2
9816-475-0303*	13.3	338	0.0	7.2
9816-475-30	13.5	339	0.6	7.3

#Neutral Full Meter Channel

\*Neutral Half Meter Channel

\*\*Indicates outlet depth compatible with 9864 Series Catch Basins



Heavy Duty, DIN 19580 **Class C**  
 -56,000 lbs - 1,162 psi  
 For commercial pneumatic tire traffic patterns, forklifts and tractor trailers.

**When Specified:** Load class "C" only applies for 9870-460-CI Grate.

**9870-460 CI** - Cast Iron Slotted Grate  
 51.95 SQ IN

**9870-456D MS** - Solid Ductile Iron  
 **9870-461 M** - Slotted Ductile Iron 51.95 SQ IN  
 **9870-477-ADA** - ADA Ductile Iron 56.07 SQ IN

**NOTE: The grate securing bolts must remain secured in the grate and tightened to the locking bar installed in the channel. If the grate securing bolts are removed from the grates for maintenance of the trench drain, they must be replaced and retightened. If the grate securing bolts are left out of the grates, the life span of the trench drain system could be affected along with the safety of pedestrian traffic.**

Extra Heavy Duty, DIN 19580 Class E - 135,000 lbs - 2,788 psi  
 For commercial solid tire traffic patterns, forklifts and impacts from steel struts or metal wheels

**SMITH<sup>®</sup> ACO**  
**Trench Drain Series**

DRAWING NUMBER  
a9816BSSIZE  
**A**SCALE:  
NONEDATE:  
8-5-93APPROVED BY:  
PACECHECKED BY:  
PACEDRAWN BY:  
CMB**9816BS**

DIMENSIONS ARE SUBJECT TO MANUFACTURERS TOLERANCE AND CHANGE WITHOUT NOTICE WE CAN ASSUME NO RESPONSIBILITY FOR USE OF SUPERSEDED OR VOID DATA

L  
K  
J04/23/09  
11-28-07  
9-28-07Removed CFS & GPM  
Added mm to cross section  
Revised DrawingJJ  
JJ  
JJMD  
PJ  
MDWEIGHT  
POUNDSVOLUME  
CUBIC FEET

FIGURE NUMBER

**9816BS**

REV.

DATE

DESCRIPTION

BY

CKD. BY