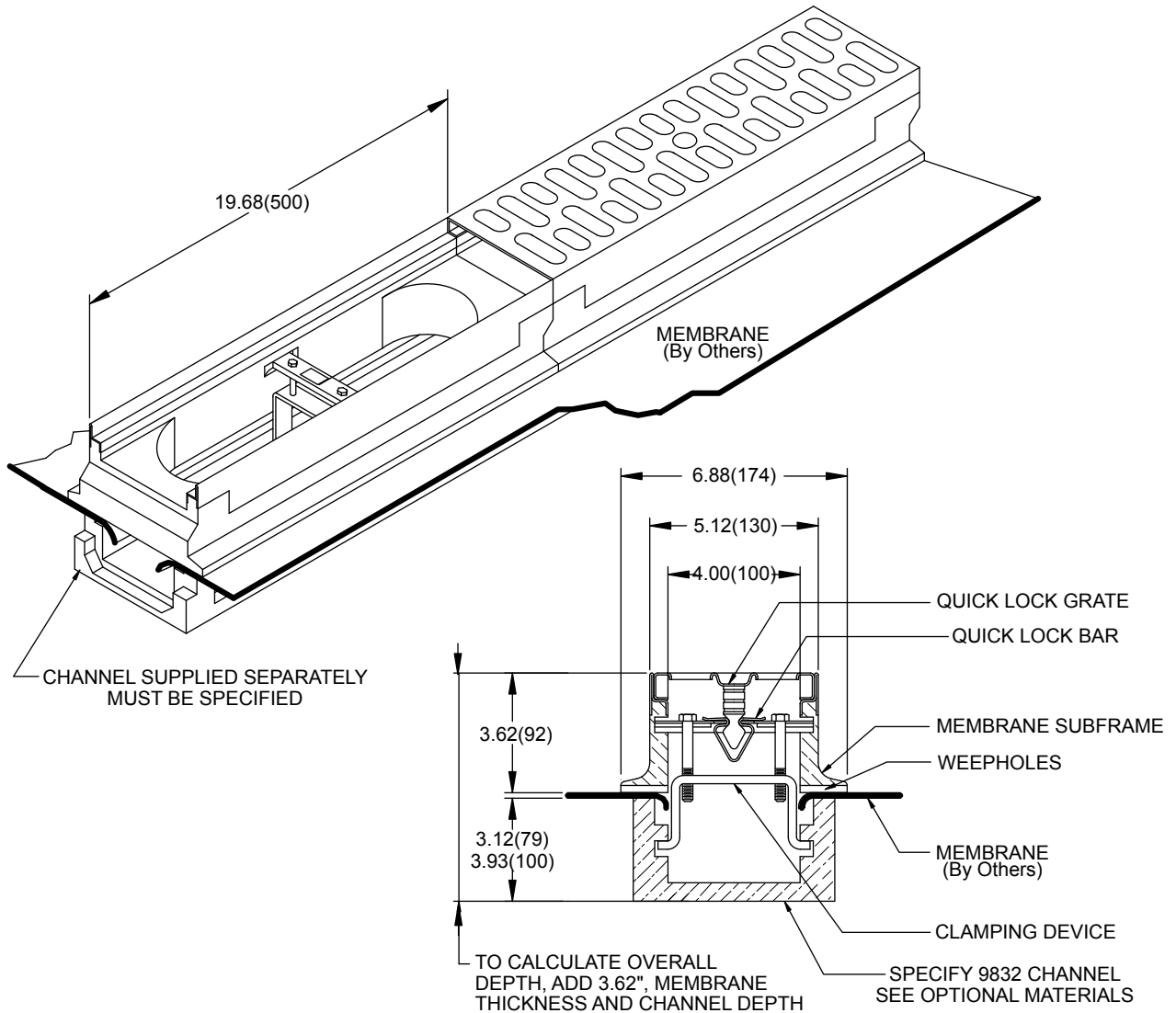


9837 MEMBRANE DRAIN

FUNCTION: Used in surface drainage applications in a suspended slab where any fluid permeating through the concrete is collected and directed back into the trench drain via a membrane and weepholes. Loading is determined by the grating up to load class C.



REGULARLY FURNISHED:

1/2 meter polyester polymer concrete clamping subframes with integrally molded galvanized steel edge rails and galvanized steel clamping devices. 2 required per 1 meter. Grating as per specification.

NOTE: Channel supplied separately must be specified.

OPTIONAL MATERIALS:

- SS Edge Rails
- SS Clamping Device
- 9832-080 1M CHANNEL
- 9832-0100 1M CHANNEL
- 9814 1M CHANNEL



DRAWING NUMBER **9837**
 SIZE **A**
 SCALE: **NONE**
 DATE: **4/12/06**
 APPROVED BY: **MD**
 CHECKED BY: **MD**
 DRAWN BY: **RN**
 FIGURE NUMBER **9837**
 DIMENSIONS ARE SUBJECT TO MANUFACTURERS TOLERANCE AND CHANGE WITHOUT NOTICE
 WE CAN ASSUME NO RESPONSIBILITY FOR USE OF SUPERSEDED OR VOID DATA

B	8/21/07	Revised Reg. Furnished	RN	PJ	WEIGHT POUNDS	VOLUME CUBIC FEET	FIGURE NUMBER
A	9/6/06	Added (By Others)	RN	MD			9837
REV.	DATE	DESCRIPTION	BY	CKD. BY			

