



3000 SERIES™

FAST DRAINAGE • QUICK SOLUTIONS

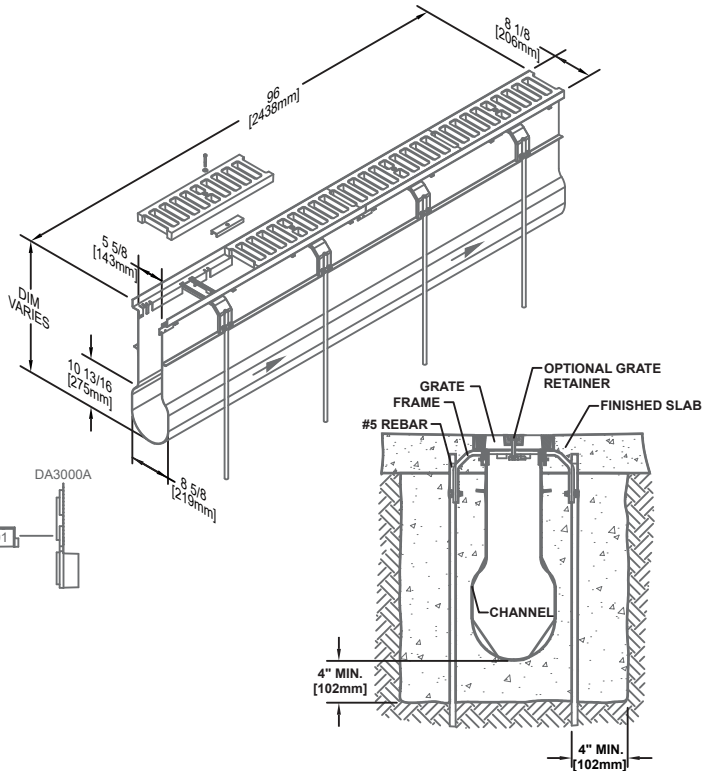
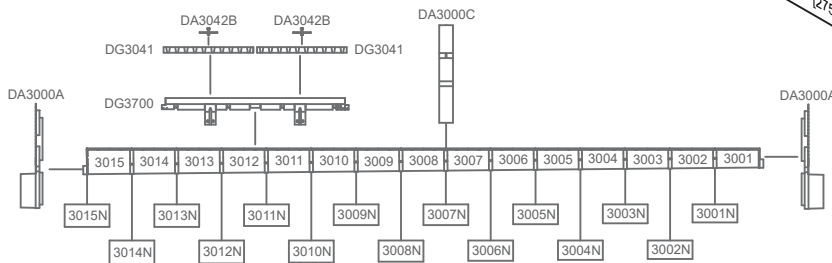
PROJECT ID/ CONTRACT NO: _____

Pre-Sloped High Capacity Drain System

LOCATION: _____

ENGINEERING SPECIFICATION:

The 3000 SERIES™ High Capacity Pre-Sloped Drain System is 8ft [2.44m] long with 1% slope pultruded fiberglass pre-sloped channels. Channels shall be UV resistant and limit water absorption to less than 1%. The frame shall incorporate an integral air vent system to release air from under the bearing structure. Four locking mechanisms shall be provided per 8ft [2.44m] section and 3/8"-16 UNC stainless steel locking bolts with each channel and grate assembly. End caps shall be provided where required. Each end cap shall be available in closed style with a scored line to allow adaptation to an 8" pipe opening. Channel and frame assembly shall withstand loads exceeding AASHTO H-20. Flow rates are over 3,000 GPM (Gallons per Minute). Each numbered sloped channel shall have a corresponding non-sloped neutral channel (indicated by 'N' in part number) to use as necessary.



✓	Channel Number	Weight (LBS.)	Inlet Dim 'A'	Outlet Dim 'B'
<input type="checkbox"/>	DP3001	25	14.78	15.74
<input type="checkbox"/>	DP3001N (Non-Sloped)	25	15.74	15.74
<input type="checkbox"/>	DP3002	26	15.74	16.70
<input type="checkbox"/>	DP3002N (Non-Sloped)	26	16.70	16.70
<input type="checkbox"/>	DP3003	28	16.70	17.66
<input type="checkbox"/>	DP3003N (Non-Sloped)	28	17.66	17.66
<input type="checkbox"/>	DP3004	29	17.66	18.62
<input type="checkbox"/>	DP3004N (Non-Sloped)	29	18.62	18.62
<input type="checkbox"/>	DP3005	31	18.62	19.58
<input type="checkbox"/>	DP3005N (Non-Sloped)	31	19.58	19.58
<input type="checkbox"/>	DP3006	32	19.58	20.54
<input type="checkbox"/>	DP3006N (Non-Sloped)	32	20.54	20.54
<input type="checkbox"/>	DP3007	34	20.54	21.50
<input type="checkbox"/>	DP3007N (Non-Sloped)	34	21.50	21.50
<input type="checkbox"/>	DP3008	35	21.50	22.46
<input type="checkbox"/>	DP3008N (Non-Sloped)	35	22.46	22.46
<input type="checkbox"/>	DP3009	37	22.46	23.42
<input type="checkbox"/>	DP3009N (Non-Sloped)	37	23.42	23.42
<input type="checkbox"/>	DP3010	41	23.42	24.38
<input type="checkbox"/>	DP3010N (Non-Sloped)	41	24.38	24.38
<input type="checkbox"/>	DP3011	42	24.38	25.34
<input type="checkbox"/>	DP3011N (Non-Sloped)	42	25.34	25.34
<input type="checkbox"/>	DP3012	44	25.34	26.30
<input type="checkbox"/>	DP3012N (Non-Sloped)	44	26.30	26.30
<input type="checkbox"/>	DP3013	45	26.30	27.26
<input type="checkbox"/>	DP3013N (Non-Sloped)	45	27.26	27.26
<input type="checkbox"/>	DP3014	47	27.26	28.22
<input type="checkbox"/>	DP3014N (Non-Sloped)	47	28.22	28.22
<input type="checkbox"/>	DP3015	48	28.22	29.18
<input type="checkbox"/>	DP3015N (Non-Sloped)	48	29.18	29.18

Grate Options (Select One)			
✓	Grate Type	Part No.	Load Class
<input type="checkbox"/>	Ductile Iron Slotted	DG3041D	Class F
<input type="checkbox"/>	Ductile Iron Slotted	DG3042D	Class D
<input type="checkbox"/>	Ductile Iron Slotted - ADA	DG3043R	Class D
<input type="checkbox"/>	Stainless Steel Bar	DG3047R	Class C
<input type="checkbox"/>	Galvanized Bar	DG3048R	Class C
<input type="checkbox"/>	Fiberglass I-Bar	DG3044	Class C
<input type="checkbox"/>	Fiberglass Mesh	DG3045	Class B
✓	Options (Select All That Apply)	Part No.	Additional Specifications:
<input type="checkbox"/>	End Cap/Pipe Adapter	DA3000A	
<input type="checkbox"/>	Channel Coupler	DA3000C	
<input type="checkbox"/>	Bottom Outlet Adapter	DA3000S	
<input type="checkbox"/>	Standard Grate Hold-Down Device	DA3042B	
<input type="checkbox"/>	Stainless Steel Grate Hold-Down Device	DA3042S	
<input type="checkbox"/>	SS I-Bar-Clip Hold-Down Device (I-bar grate)	DA3042F	
<input type="checkbox"/>	SS M-Clip Hold-Down Device (mesh grate)	DA3042M	
<input type="checkbox"/>	48" Zinc Plated Channel Frame	DG3700	
<input type="checkbox"/>	48" Stainless Steel Channel Frame	DG3700S	

Meets the following Standards & Specifications:

- Federal Aviation Administration (FAA) Advisory Circular Airport Pavement Design and Evaluation (AC 150/5320-6D Appendix 3 Design of Structures for Heavy Aircraft)
- ASTM Standard D543, Test Method for Resistance of Plastics to Chemical Reagents
- ASTM Standard D570, Test Method for Water Absorption of Plastic
- ASTM Standard D576, Practice for Determination of Weight and Shape Changes of Plastics Under Accelerated Service Conditions
- ASTM Standard G53, Recommended Practice for Operating Light and Water Exposure Apparatus for Exposure of Non-Metallic Materials
- ASTM Standard D695, Test Method of Compressive Properties of Rigid Plastics
- ASTM Standard D790, Test Method for Flexural Properties of Unreinforced and Reinforced Plastics and Electrical Insulation Materials
- ASTM Standard B117, Standard Practice for Operating Salt Spray (Fog) Apparatus
- AASHTO Highway Drainage Guidelines
- AASHTO Standard Specification for Highway Bridges
- Exceeds 343lbs/ft [5kN/m] pullout per Caltrans Specifications



PO Box 377
Fremont, Ohio 43420 USA
Phone 610-638-1221
sales@trenchdrain.com
www.trenchdrain.com