



610-638-1221
 sales@trenchdrain.com
 PO BOX 377 - FREMONT, OH 43420

PROJECT ID: _____
 CONTRACT NO: _____

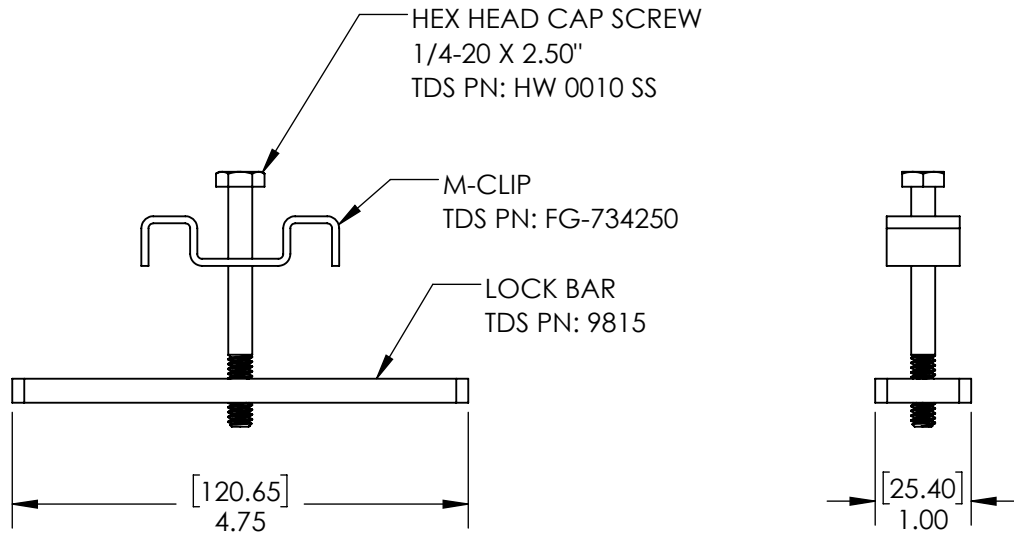
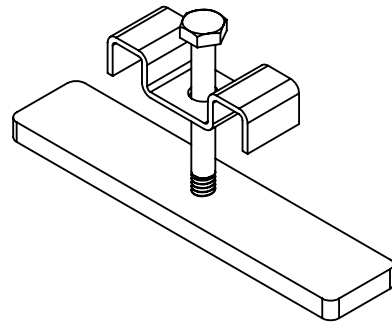
LOCATION: _____

RELEASED 5.13.20

DA3042M	LOCKING DEVICE FOR TDS 3000 SERIES W/FIBERGLASS MESH GRATE
---------	--

GRATE TYPE	PART NO.	DIN LOAD CLASS
FIBERGLASS 1.50" X 1.50" MESH	DG3045	B

TRENCH DRAIN SYSTEMS DA3042M SERIES LOCKING DEVICES ARE TO BE USED WITH ALL GRATING SYSTEMS WHERE WHEEL TRAFFIC OCCURS. THIS IS NECESSARY TO PROVIDE SYSTEM INTEGRITY. USED ON TDS 3000 SERIES SYSTEM WITH FIBERGLASS MESH GRATE.



DISCLAIMER - The customer and the customer's architects, engineers, consultants, and other professionals are completely responsible for the selection installation and maintenance of any product purchased from Trench Drain Systems and/or its manufacturers. TRENCH DRAIN SYSTEMS MAKES NO WARRANTY, EXPRESS OR IMPLIED, AS TO THE SUITABILITY, DESIGN, MERCHANTABILITY, OR FITNESS OF THE PRODUCT FOR CUSTOMERS APPLICATION. The drawing and information provided remain the property and copyright of the manufacturer listed. The manufacturer reserves the right to modify specification without notice.