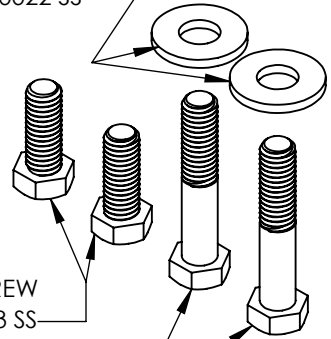


HWGRT-01	HARDWARE PACK FF SERIES DUCTILE IRON / BAR GRATES 14.66"
----------	--

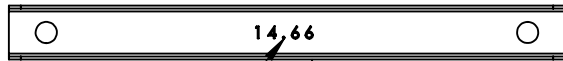
GRATE	LENGTH	LOAD CLASS	QTY. PER GRATE
FG1241	24.00"	C	1 KIT
FG1242		E	
FG1246		F	
FG1247R		C	
FG1248R		C	
FG1275		E	

3/8" SS WASHER
 TDS PART NO: HW 0022 SS



3/8"-16 X 1.00"
 SS HEX HEAD CAP SCREW
 TDS PART NO: HW 0063 SS

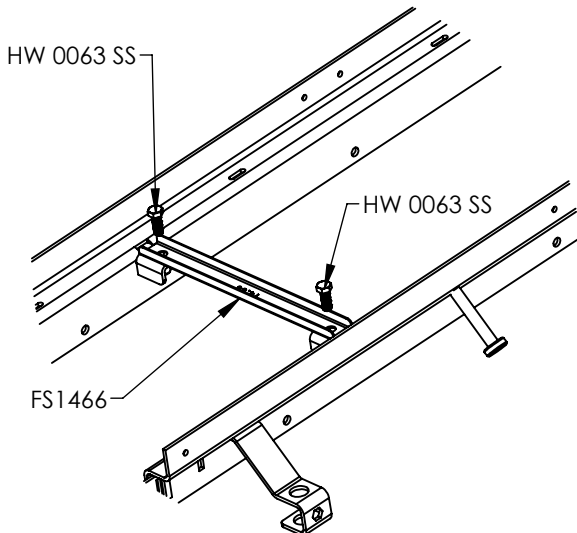
3/8"-16 X 2.00"
 SS HEX HEAD CAP SCREW
 TDS PART NO: HW 0014 SS



NUMBER INDICATES SYSTEM WIDTH
 SPANNER BAR
 TDS PART NO: FS1466

SYSTEM INSTALLATION

FS1466 & HW 0063 SS ARE USED TO SPACE SYSTEM PROPERLY AND ENSURE HOLE CENTERS ARE CORRECT



GRATE INSTALLATION

DISCARD FS1466 & HW 0063 SS AFTER INSTALLATION. HW 0014 SS & HW 0022 SS ARE USED TO SECURE GRATE TO SYSTEM.

